

SPARE PARTS & ACCESSORIES LIST



ALLU Finland Oy
P.O. Box 22,
16301 Orimattila, FINLAND
Tel: +358 (0)3 882 140
Fax: +358 (0)3 882 1440
Email: info@allu.net
www.allu.net



Contents

Assembly drawing	page 1
Drums	page 2
Blades	page 4
Counter blades	page 6
Power transmission	page 8
Bearings	page 8
Hydraulics	page 9
Frame	page 10
Tools	page 11

Validity

This document is valid from the following serial numbers.

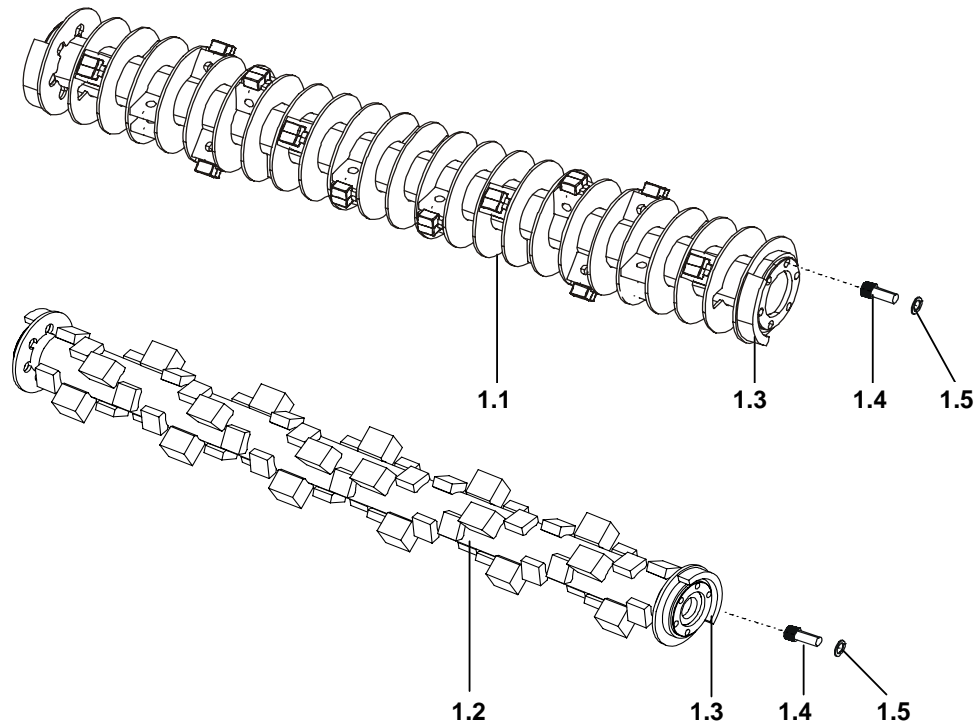
SM 2-12	07S212001
SM 2-17	07S217001
SM 2-23	07S223002
SM 3-12	07S312006
SM 3-17	07S317001
SM 3-23	07S323004
SM 3-27	07S327002
SM 4-12	07S412001
SM 4-17	07S417004
SM 4-23	07S423001
SM 4-27	07S427002

Contact information

Manufacturer:	ALLU Finland Oy
Street address:	Jokimäentie 1
Postal address:	P.O. Box 22, FIN-16301 ORIMATTILA
Phone:	+ 358 3 882 140
Fax:	+ 358 3 882 1440
Email:	info@allu.net
Website:	www.allu.net

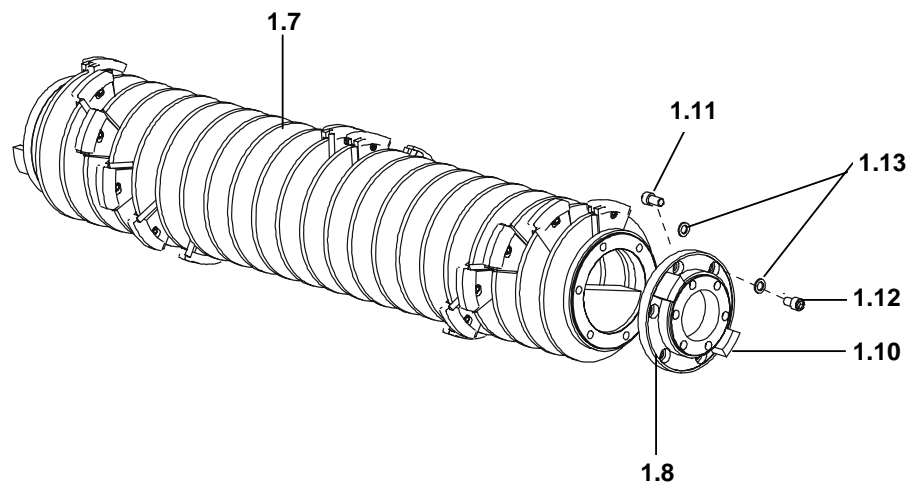
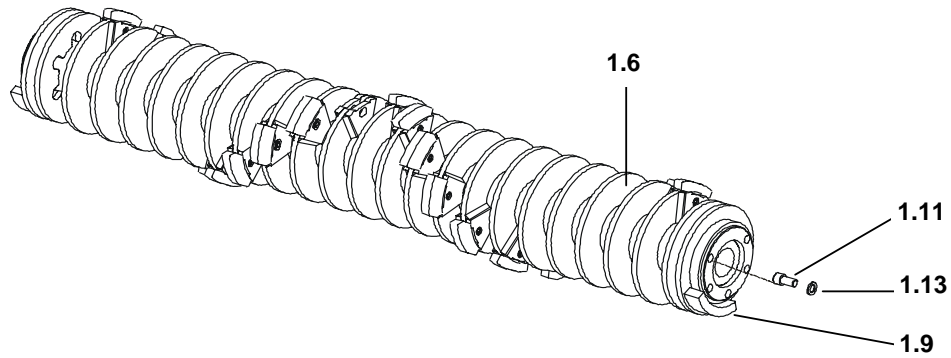
1 DRUMS

POS	P/N	DESCRIPTION	PCS		
			SM 2	SM 3	SM 4
1.1	298001	Drum 40, SM/SMH -12	2	3	4
	298002	Drum 40, SM/SMH -17	2	3	4
	298003	Drum 40, SM/SMH -23	2	3	4
	298004	Drum 40, SM/SMH -27		3	4
	1104020	Drum XHD 40, SM/SMH -12	2	3	4
	1104240	Drum XHD 40, SM/SMH -17	2	3	4
	1104250	Drum XHD 40, SM/SMH -23	2	3	4
	1104260	Drum XHD 40, SM/SMH -27		3	4
	297801	Drum 60, SM/SMH -12	2	3	4
	297802	Drum 60, SM/SMH -17	2	3	4
	297803	Drum 60, SM/SMH -23	2	3	4
	297900	Drum 60, SM/SMH -27		3	4
	342600	Drum XHD 60, SM/SMH -12	2	3	4
	346800	Drum XHD 60, SM/SMH -17	2	3	4
	342500	Drum XHD 60, SM/SMH -23	2	3	4
	343200	Drum XHD 60, SM/SMH -27		3	4
1.2	1140780	Drum stabilisation X100 -15	2	3	4
	1140790	Drum stabilisation X100 -20	2	3	4
	1140800	Drum stabilisation X100-25	2	3	4
	1140740	Drum stabilisation X75 -15	2	3	4
	1140750	Drum stabilisation X75 -20	2	3	4
	1140760	Drum stabilisation X75 -25	2	3	4
1.3	083113	Counter weight, SM/SMH -12/40, -17/40, -23/40	4	6	8
	083112	Counter weight, SM/SMH -27/40, -12/60, -17/60, -23/60	4	6	8
	083111	Counter weight, SM/SMH -27/60	4	6	8
1.4	9422	Hex socket bolt M16*30 10.9 DIN 912	20	30	40
1.5	9434	Washer, NORD-LOCK NL16	20	30	40



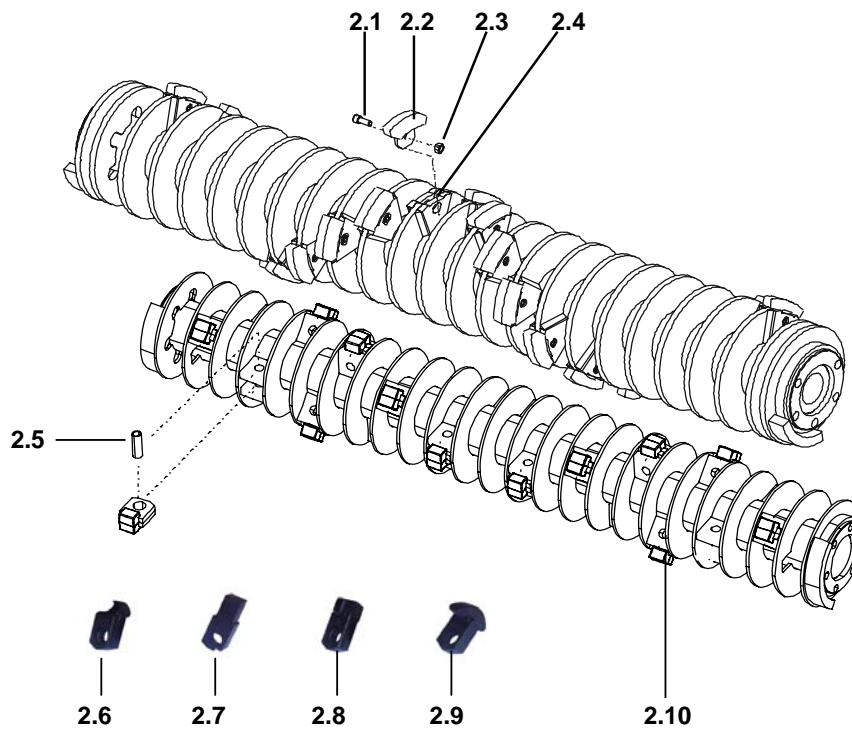
1 DRUMS (continued)

POS	P/N	DESCRIPTION	PCS		
			SM 2	SM 3	SM 4
1.6	1120590	Drum 20, -12 small		2	
	1120380	Drum 20, -17 small		2	
	1121110	Drum 20, -23 small		2	
1.7	1120600	Drum 20, -12 big		1	
	1120270	Drum 20, -17 big		1	
	1121090	Drum 20, -23 big		1	
1.8	1120250	Fastening flange, 20 mm big drum		2	
1.9	1120230	Counter weight, small drum, 20 -12		6	
	1120360	Counter weight, small drum, 20 -17		6	
	1121100	Counter weight, small drum, 20 -23		6	
1.10	1121350	Counter weight, big drum, 20 -12 -17 -23		12	
1.11	9422	Hex socket bolt M16*30 10.9 DIN 912		37	
1.12	9431	Hex socket bolt M16*25 DIN 7984		37	
1.13	9434	Washer, NORD-LOCK NL16		74	



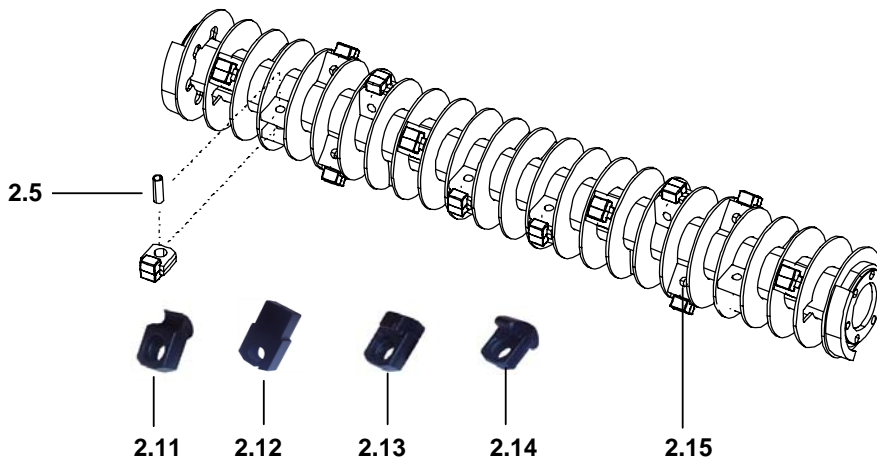
2 BLADES

POS	P/N	DESCRIPTION	PCS		
			SM 2	SM 3	SM 4
2.1	9350045	Hex socket bolt M10*25 DIN 912 (1 / blade needed)			
2.2	1121080	Blade 20			
		SM -12		40	
		SM -17		64	
		SM -23		88	
2.3	9350027	Hex nut NYLOC M10 DIN 985 (1 / blade needed)			
2.4	5000048	Blade holder 20, pair			
2.5	9303	Spring pin (1 / blade needed)			
2.6	303530	Blade 40, axe, forged			
		SM -12	44	66	88
		SM -17	68	102	136
		SM -23	92	138	184
		SM -27		162	216
2.7	216820	Blade 40, long, l =100			
		SM -12		22	44
		SM -17		34	68
		SM -23		46	92
		SM -27		54	108
2.8	301430	Blade 40, forged			
		SM -12	44	66	88
		SM -17	68	102	136
		SM -23	92	138	184
		SM -27		162	216
2.9	301720	Blade 40, oval, forged			
		SM -12	44	66	88
		SM -17	68	102	136
		SM -23	92	138	184
		SM -27		162	216
2.10	133700	Blade holder 40			



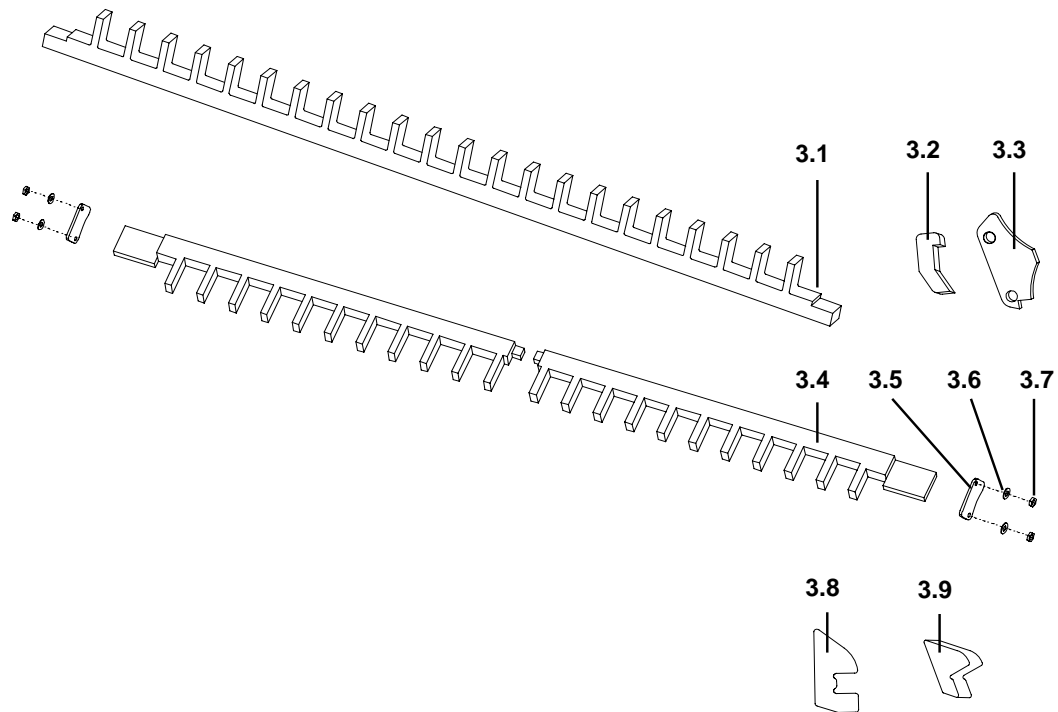
2 BLADES (continued)

POS	P/N	DESCRIPTION	PCS		
			SM 2	SM 3	SM 4
2.5	9303	Spring pin (1 / blade needed)			
2.11	303320	Blade 60, axe, forged			
		SM -12	32	48	64
		SM -17	48	72	96
		SM -23	64	96	128
		SM -27		114	152
		SM -12 XHD	30	45	60
		SM -17 XHD	44	66	88
		SM -23 XHD	60	90	120
		SM -27 XHD		105	140
2.12	216720	Blade 60, long, l=100			
		SM -12		16	32
		SM -17		24	48
		SM -23		32	64
		SM -27		38	76
		SM -12 XHD		15	30
		SM -17 XHD		22	44
		SM -23 XHD		30	60
		SM -27 XHD		35	70
2.13	299920	Blade 60, forged, l=80			
		SM -12	32	48	64
		SM -17	48	72	96
		SM -23	64	96	128
		SM -27		114	152
		SM -12 XHD	30	45	60
		SM -17 XHD	44	66	88
		SM -23 XHD	60	90	120
		SM -27 XHD		105	140
2.14	301520	Blade 60, oval, forged			
		SM -12	32	48	64
		SM -17	48	72	96
		SM -23	64	96	128
		SM -27		114	152
		SM -12 XHD	30	45	60
		SM -17 XHD	44	66	88
		SM -23 XHD	60	90	120
		SM -27 XHD		105	140
2.15	070400	Blade holder 60			

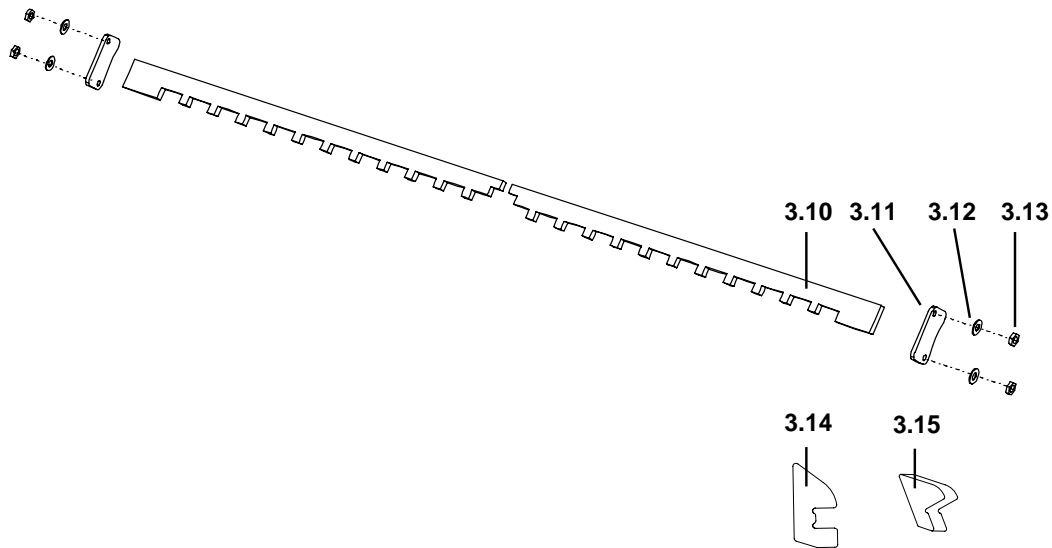


3 COUNTER BLADES

POS	P/N	DESCRIPTION	PCS		
			SM 2	SM 3	SM 4
3.1	1121060	Lower counter blade, SM/SMH -12 / 20	1	1	1
	1120420	Lower counter blade, SM/SMH -17 / 20	1	1	1
	1116820	Lower counter blade, SM/SMH -23 / 20	1	1	1
3.2	1120430	Lower counter blade holder / 20	1	1	1
3.3	1120450	Lower counter blade fastening piece / 20	2	2	2
3.4	5000045	Counter blade, comb, SM/SMH -12 / 20	1	1	1
	5000046	Counter blade, comb, SM/SMH -17 / 20	1	1	1
	5000047	Counter blade, comb, SM/SMH -23 / 20	1	1	1
3.5.	077920	Service hatch, counter blade, SM/SMH	2	2	2
3.6	9614	Washer, ø13 DIN 125A	4	4	4
3.7	9840	Hex nut NYLOC M12 DIN 985	4	4	4
3.8	279700	Counter blade holder center /20 /40 /60	1	1	1
3.9	1120890	Upper counter blade holder / 20	1	1	1



POS	P/N	DESCRIPTION	PCS		
			SM 2	SM 3	SM 4
3.10	206201	Counter blade, comb, SM/SMH -12 / 40	1	1	1
	206202	Counter blade, comb, SM/SMH -17 / 40	1	1	1
	206203	Counter blade, comb, SM/SMH -23 / 40	1	1	1
	206204	Counter blade, comb, SM/SMH -27 / 40	1	1	1
	162211	Counter blade, comb, SM/SMH -12 / 60	1	1	1
	162212	Counter blade, comb, SM/SMH -17 / 60	1	1	1
	162213	Counter blade, comb, SM/SMH -23 / 60	1	1	1
	162214	Counter blade, comb, SM/SMH -27 / 60	1	1	1
	352900	Counter blade, comb, SM/SMH -12 / 60 XHD	1	1	1
	351200	Counter blade, comb, SM/SMH -17 / 60 XHD	1	1	1
	352000	Counter blade, comb, SM/SMH -23 / 60 XHD	1	1	1
	353000	Counter blade, comb, SM/SMH -27 / 60 XHD	1	1	1
	1104040	Counter blade, comb, SM/SMH -12 / 40 XHD	1	1	1
	1105010	Counter blade, comb, SM/SMH -17 / 40 XHD	1	1	1
	1105020	Counter blade, comb, SM/SMH -23 / 40 XHD	1	1	1
	1105030	Counter blade, comb, SM/SMH -27 / 40 XHD	1	1	1
	086111	Counter blade, straight, SM/SMH -12	1	1	1
	086112	Counter blade, straight, SM/SMH -17	1	1	1
	086113	Counter blade, straight, SM/SMH -23	1	1	1
	086114	Counter blade, straight, SM/SMH -27	1	1	1
3.11	077920	Service hatch, counter blade, SM/SMH	2	2	2
3.12	9614	Washer, ø13 DIN 125A	4	4	4
3.13	9840	Hex nut NYLOC M12 DIN 985	4	4	4
3.14	279700	Counter blade holder center /20 /40 /60	1	1	1
3.15	279600	Counter blade holder 40 / 60	1	1	1



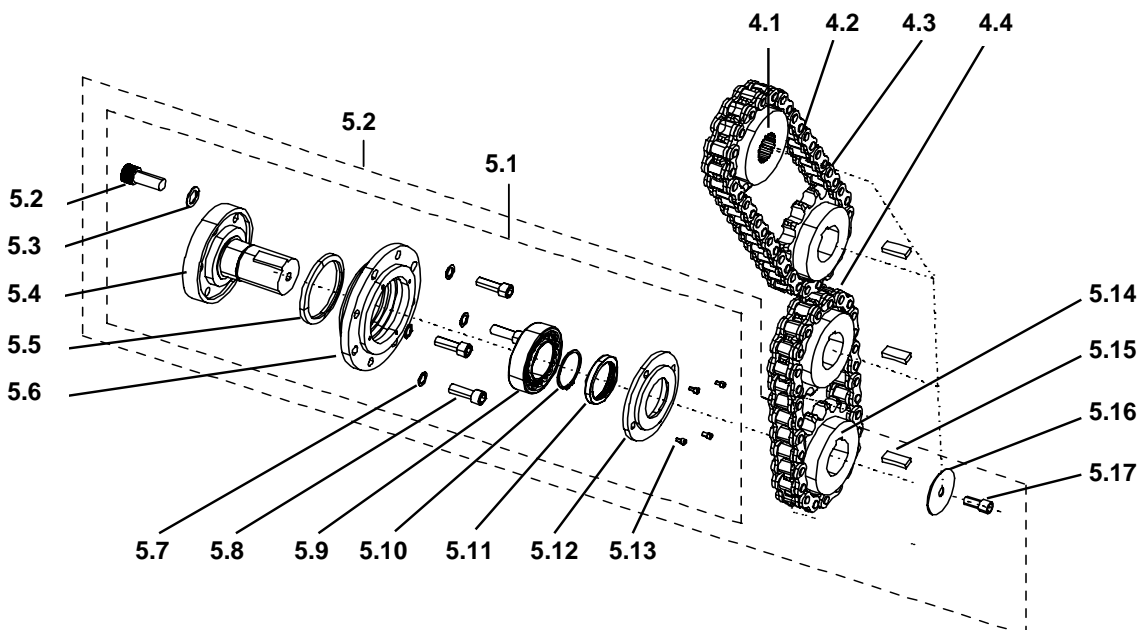
4 POWER TRANSMISSION

POS	P/N	DESCRIPTION	PCS		
			SM 2	SM 3	SM 4
4.1	286910	Chain wheel, hydraulic motor, 24B-1, Z=15, BS 3550	1	1	1
4.2	9909	Chain connecting link, 24B-1, SM/SMH	2	3	4
4.3	9511	Chain, 24B-1, 35 links + connector, SM/SMH	1	1	1
4.4	9517	Chain, 24B-1, 27 links + connector, SM/SMH	1	2	3

5 BEARINGS

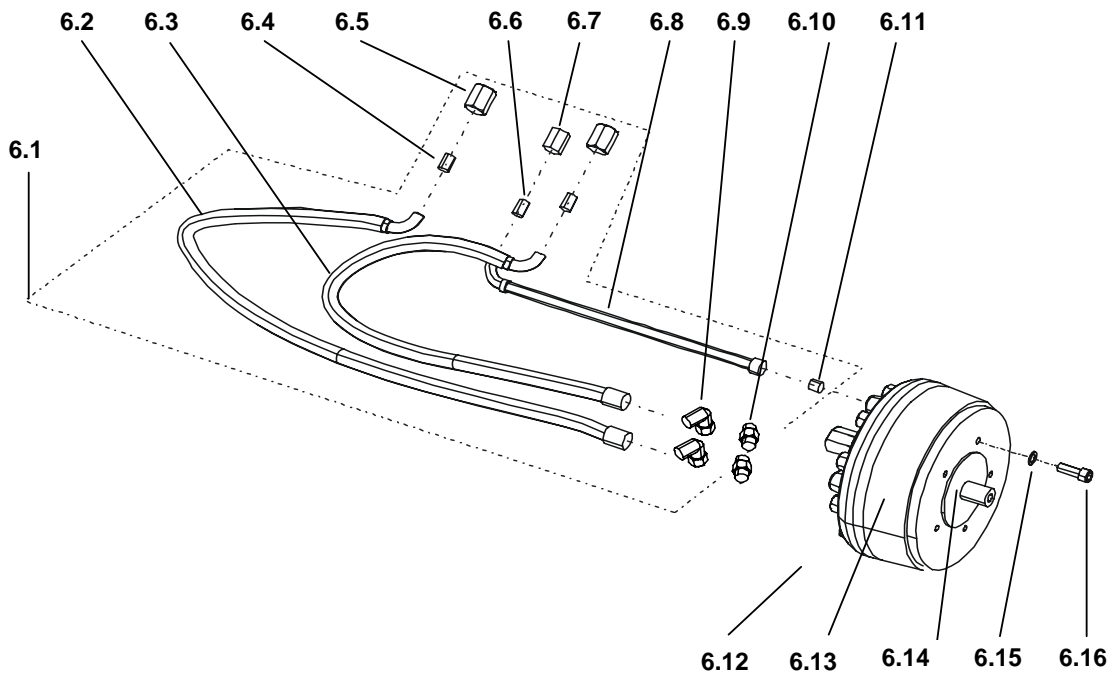
POS	P/N	DESCRIPTION	PCS		
			SM 2	SM 3	SM 4
5.1	316410	Bearing unit, SM	1	1	1
		1 pc includes			
5.2	9422	Hex socket bolt M16*30 10.9 DIN 912		5	
5.3	9434	Washer, NORD-LOCK NL16		5	
5.4	335400	Flange axle, SM		1	
5.5	9419	Seal, VA-110, SM/SMH		1	
5.6	313910	Bearing housing, SM/SMH		1	
5.7	9434	Washer, NORD-LOCK NL16		4	
5.8	9425	Hex socket bolt M16*45 DIN 912		4	
5.9	9407	Bearing, SM/SMH		1	
5.10	9437	Locking ring		1	
5.11	9412	Seal, RST 70*90*10		1	
5.12	316110	Cover, bearing unit, SM/SMH		1	
5.13	9447	Hex socket bolt M6*10, DIN 912		6	

5.2	316210	Bearing unit, SM, complete	3	5	7
		1 pc includes			
5.1	316410	Bearing unit, SM		1	
5.14	286800	Chain wheel, drum, SM		1	
5.15	9440	Parallel key, 20 x 12, l = 55, DIN 6880, SM		1	
5.16	9443	Locking plate, chain wheel		1	
5.17	9422	Hex socket bolt M16*30 10.9 DIN 912		1	



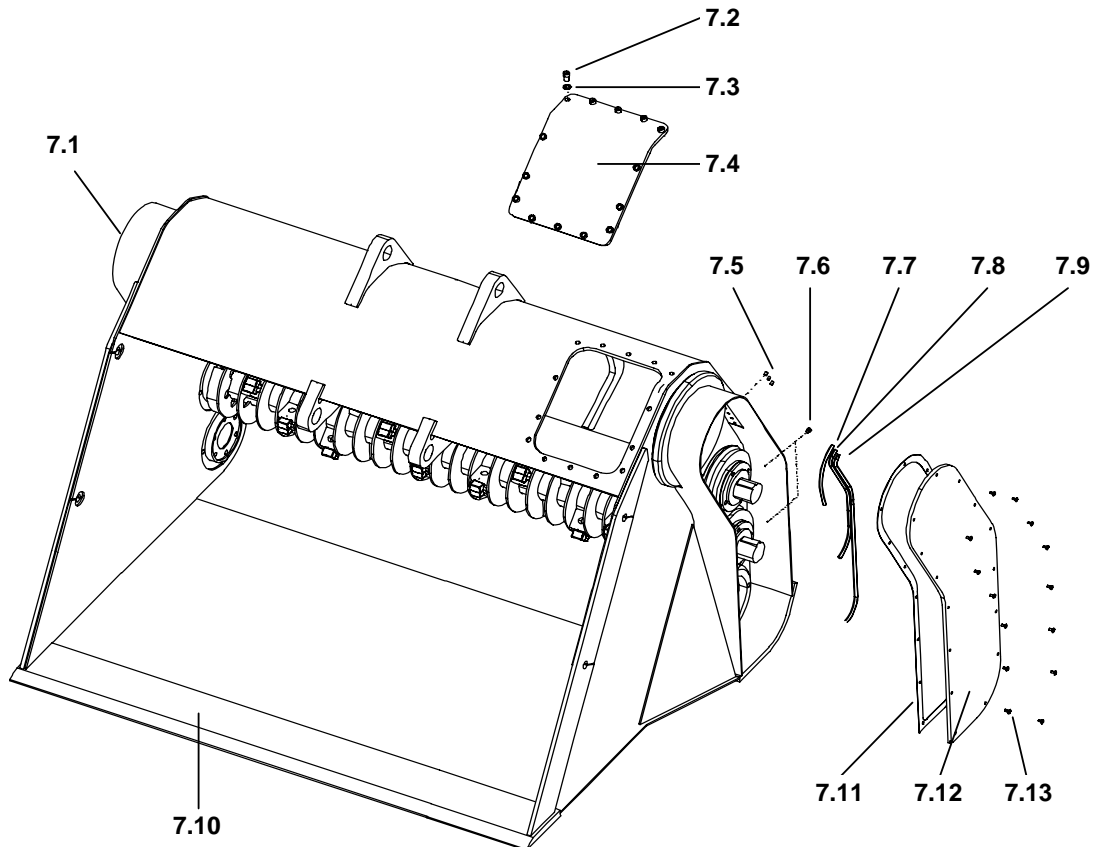
6 HYDRAULICS

POS	P/N	DESCRIPTION	PCS		
			SM 2	SM 3	SM 4
6.1	314601	Hose assembly, hydraulic, SM -12	1	1	1
	314602	Hose assembly, hydraulic, SM -17	1	1	1
	314701	Hose assembly, hydraulic, SM -23	1	1	1
	314702	Hose assembly, hydraulic, SM -27	1	1	1
6.2	9616	Hose assembly SM -27, l = 2,28 m	1	1	1
	9601	Hose assembly SM -17, l = 1,8 m	1	1	1
	9602	Hose assembly SM -23, l = 1,9 m	1	1	1
6.3	9699	Hose assembly SM -17, l = 1,6 m	1	1	1
	9696	Hose assembly SM -12, l = 1,2 m	2	2	2
		SM -23,-27, l = 1,2 m	1	1	1
6.4	9608	Bulkhead fitting, main line, SM	2	2	2
6.5	9916	Cap, JIC, main line, SM/SMH	2	2	2
6.6	9610	Bulkhead fitting, drain line, SM	1	1	1
6.7	9917	Cap, JIC, drain line, SM/SMH	1	1	1
6.8	9603	Hose assembly SM -12, l = 0,6 m	1	1	1
	9604	Hose assembly SM -17, l = 0,85 m	1	1	1
	9605	Hose assembly SM -23,-27, l = 0,32 m	1	1	1
6.9	9611	Elbow fitting 90°	2	2	2
6.10	9921	Fitting, main line, SM/SMH	2	2	2
6.11	9924	Fitting, drain line, SM/SMH	1	1	1
6.12	913022	Hydraulic motor ALLU BF2-420	1	1	1
	913014	Hydraulic motor, ALLU BF2-600	1	1	1
	9669	Hydraulic motor, ALLU M3R-700-1-G-N-D40	1	1	1
6.13	9100025	Seal kit, complete, BF2-420	1	1	1
	9100011	Seal kit, complete, BF2-600	1	1	1
	9100007	Seal kit, complete, M3 700	1	1	1
6.14	9661	Seal, hydraulic motor shaft, 60-75-8, M3 and BF2 motors	1	1	1
6.15	9614	Washer, ø13 DIN 125A	5	5	5
6.16	9613	Hex bolt M12*30 DIN 933	5	5	5



7 FRAME

POS	P/N	DESCRIPTION	PCS		
			SM 2	SM 3	SM 4
7.1	288610	Cover, chain box, right, SM2	1		
	288800	Cover, chain box, right, SM3		1	
	289100	Cover, chain box, right, SM4			1
7.2	9613	Hex bolt M12*30 DIN 933	14	14	14
7.3	10005	Washer, NORD-LOCK NL12	14	14	14
7.4	301800	Cover, motor access hole, SM/SMH	1	1	1
7.5	9449	Grease nipple, straight, R1/8", SM/SMH	4	6	8
7.6	9450	Plug, chain lubrication hole, R1/4	2	3	4
7.7	9845	Elbow fitting 90°, grease line, SM/SMH	4	6	8
7.8	9818	Grease hose SM 2, l = 2,2 m	1		
	9816	Grease hose SM 3, SMH 3, l = 3,5 m		1	
	9817	Grease hose SM 4, SMH 4, l = 5,5 m			1
7.9	9850	Fitting, Grease line, SM/SMH	4	6	8
7.10	076811	Tip plate SM -12	1	1	1
	076812	Tip plate SM -17	1	1	1
	076813	Tip plate SM -23	1	1	1
	076814	Tip plate SM -27	1	1	1
7.11	288400	Seal, chain box cover, SM 2	2		
	282900	Seal, chain box cover, SM/SMH 3		2	
	284100	Seal, chain box cover, SM/SMH 4			2
7.12	288510	Cover, chain box, left, SM2	1		
	288700	Cover, chain box, left, SM3		1	
	289000	Cover, chain box, left, SM4			1
7.13	9526	Hex socket sunk screw M8*16, DIN7991	26	30	34



8 TOOLS

POS	P/N	DESCRIPTION	PCS		
			SM 2	SM 3	SM 4
	094600	Drift, SM/SMH			
	225900	Blade detaching tool, drum 40, SM/SMH			
	094700	Blade detaching tool, drum 60, SM/SMH			